

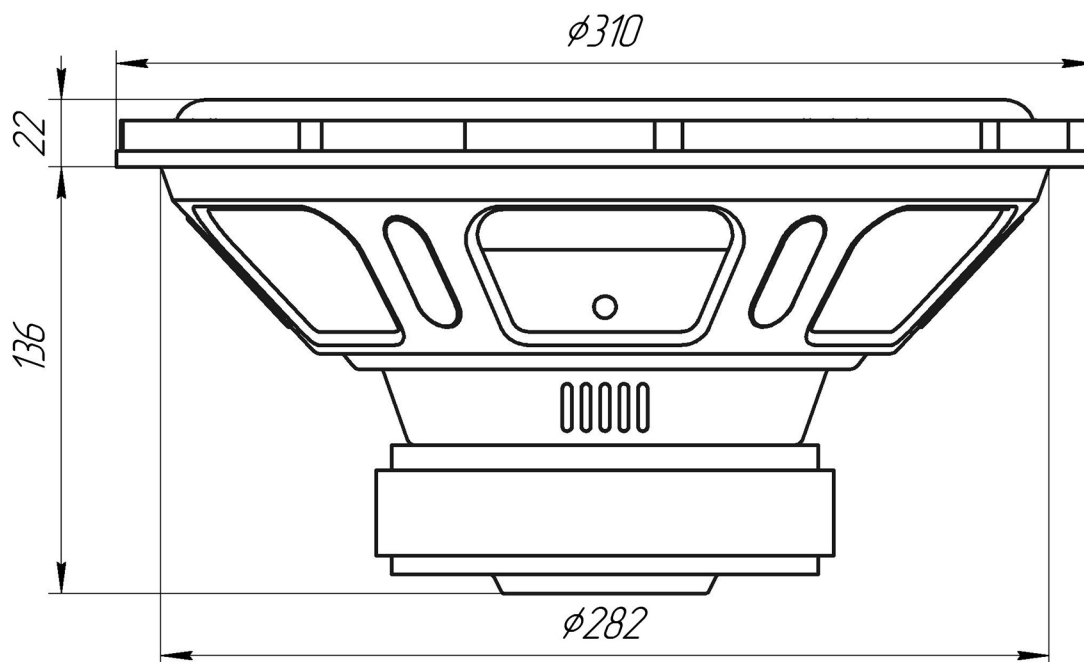
## Characteristics Subwoofer Pride Eco 12" 300 W

### Technical features

RMS	300 W
X Max(BL 50%)	28 mm
Re	3,3 ohm
Fs	33,1 Hz
Qts	0,75
Sd	506 cm <sup>2</sup>
Vas	48,5 L
BL	11,5
Sens (1W/1m)	86,5 dB
Sens (2.83Vrms/1m)	90,1 dB

### Physical features

Magnet's material	High-quality ferrite rings
Magnet's weight	1800 g
Frame material	Steel
Brief voice coil description	High temperature copper voice coil with the diameter 2 inch
Diameter of the mounting hole	282 mm
Mounting Depth	136 mm
Weight of the product	4,42 kg



# ECO-12