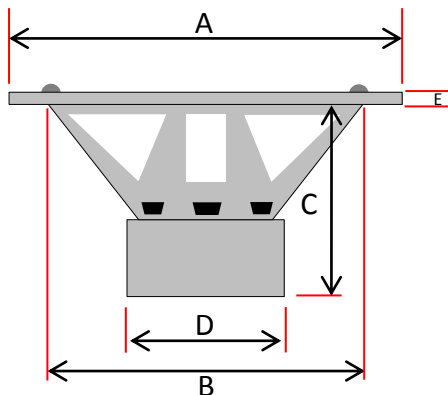




## TECHNICAL SPECIFICATIONS

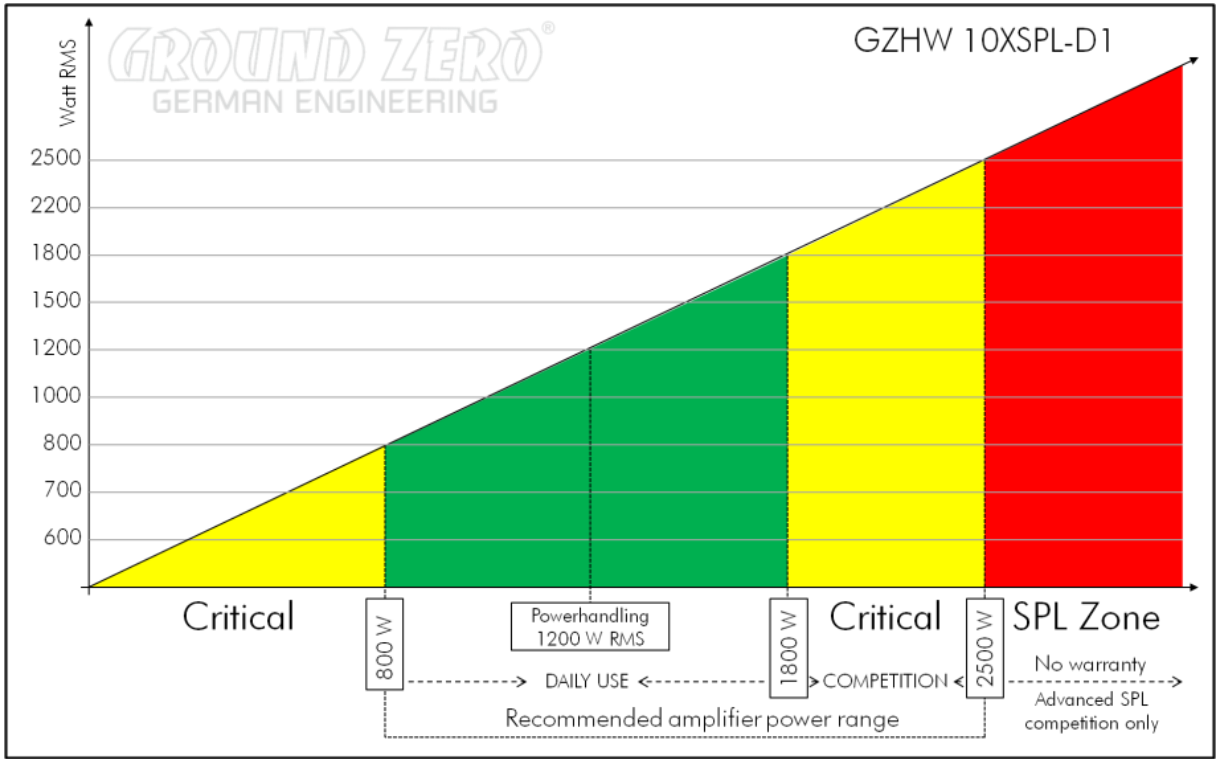
Product name	GZHW 10XSPL-D1	Gasket	Foam
Product type	Subwoofer chassis	Terminal	Black chrome push terminal
Diameter	272 mm / 10.71"	Power handling	2500 W SPL Power (1200 WRMS)
Mounting diameter	240 mm / 9.45"	Impedance	2 x 1 Ohm
Mounting depth	155 mm / 6.10"	Re	1.82 Ohm
Magnet dimension	3x 170 x 20 mm	Res	22.5 Ohm
Total weight	10.3 KG	FS	40.5 Hz
Voice coil diameter	63 mm / 2.5" Round Wire	Qms	5.504
Voice coil winding height	35 mm / 1.377"	Qes	0.446
Voice coil wire material	Copper	Qts	0.412
Voice coil former material	Aluminum	Rms	11.49 kg/s
Top plate height	10 mm / 0.3937"	Cms	0.062 mm/N
Linear excursion (one direction)	12,5 mm / 0.49"	Mms	248.76 gr
Effective Xmax	40 mm / 1.57"	BL	16.078 N/A
Top Plate and T-Yoke color	Black machined	SPL (1w/1m)	85 dB
Basket material	Aluminum Cast	VAS	10.16 L / 0.359 cu.ft
Basket color	Yellow	Le	2.029 mH
Spider	2x Progressive Polycot	Recommended freq. response	40 – 120 Hz
Surround	High Roll Sandwich Foam	Recommended amplifier power	800 – 2500 WRMS @20hm / 0,5 Ohm
Cone	Reinforced paper	Sound Quality	☺☺☺ (max. ☺☺☺☺☺☺)
Dustcap	IMPP konvex / with 3D Logo	SPL Competition	☺☺☺☺ (max. ☺☺☺☺☺☺)
Magnetcover	PVC	Low bass performance 20-50Hz	☺☺☺ (max. ☺☺☺☺☺☺)
		Mid bass performance 50-80Hz	☺☺☺ (max. ☺☺☺☺☺☺)



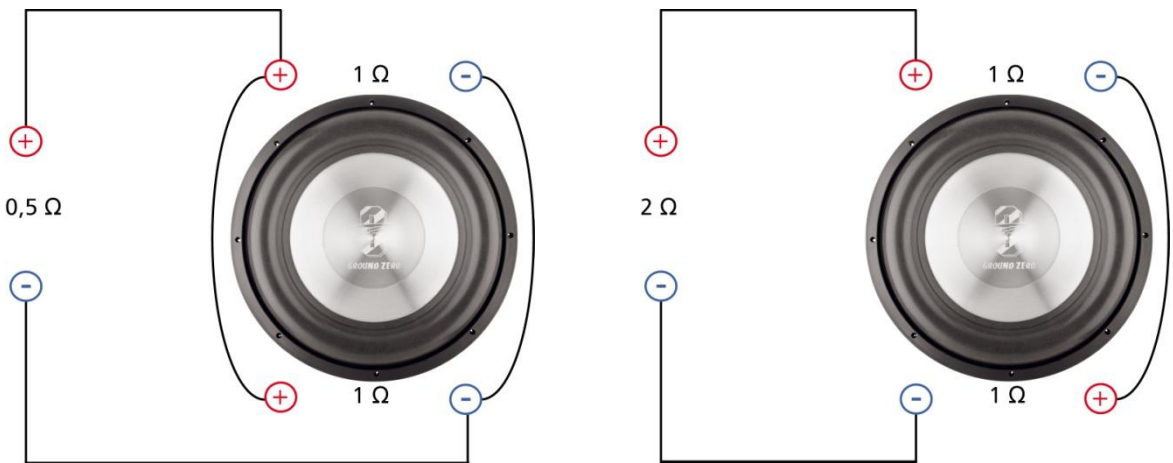
A	272 mm / 10.71"
B	240 mm / 9.45"
C	155 mm / 6.10"
D	175 mm / 6.89"
E	8.5 mm / 0.33"



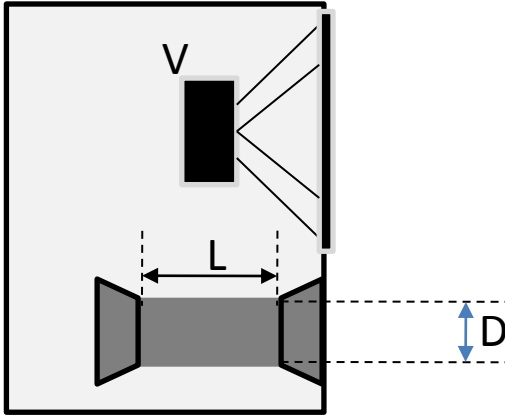
AMPLIFIER RECOMMENDATION



WIRING



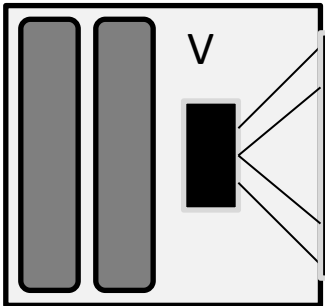
BOX RECOMMENDATION



**Small size vented box**

V: 40 L / 1.412 cu.ft  
D: 1x 100 mm / 4"  
L: \*210 mm / 8.27"

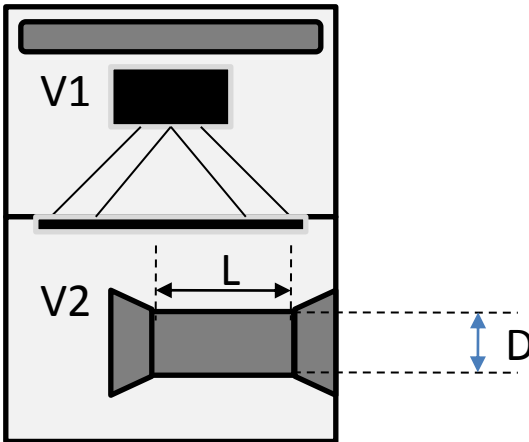
No damping



**Small size sealed box**

5 – 15 L / 0.177– 0.53 cu.ft  
Qtc 0.71 – 0.53

40 - 60% polyester wool



**Medium size bandpassbox**

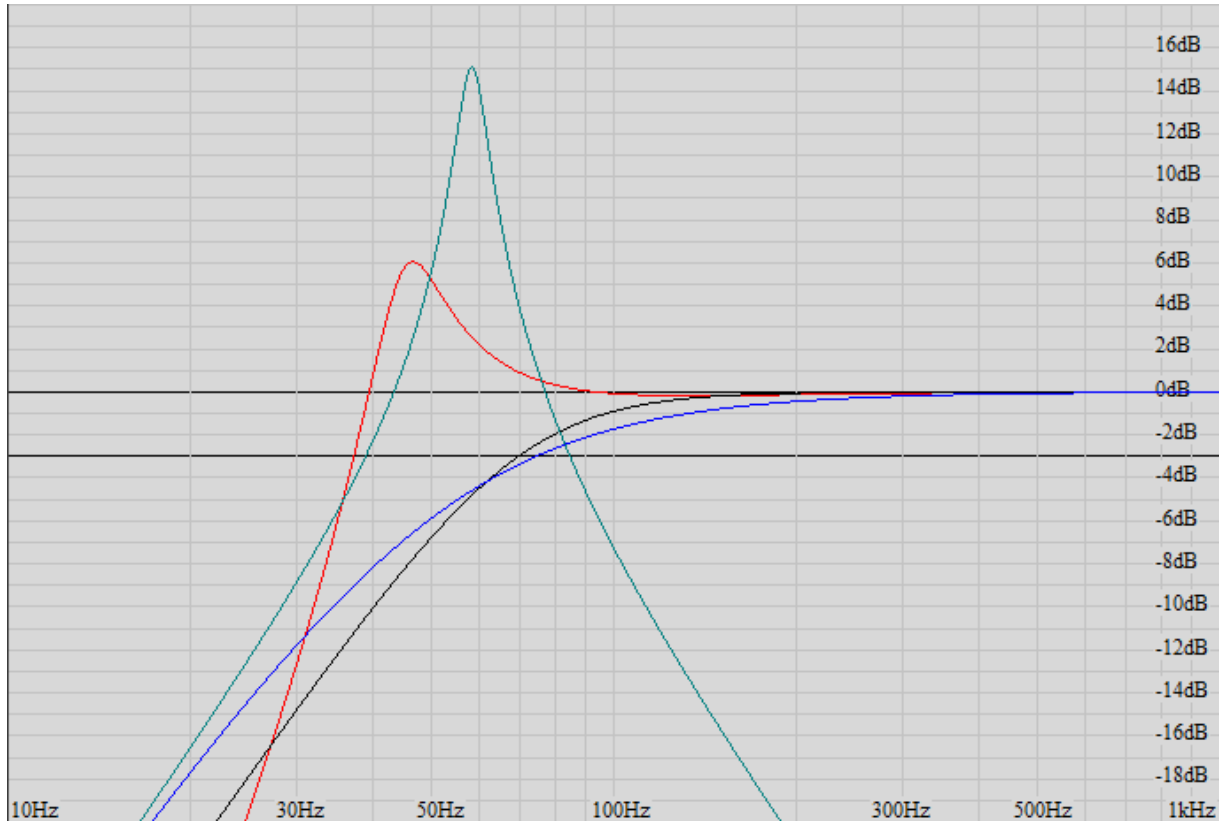
V1: 14 L / 0.49 cu.ft  
V2: 28 L / 0.99 cu.ft  
D: 1x 100 mm / 4"  
L: \*170 mm / 6.69"

20% polyester wool in V1  
No damping in V2

Die hier aufgeführten Gehäusevorschläge sind nur einige, der möglichen Varianten.  
Bitte beachten Sie zudem, dass die finale Abstimmung, speziell die Port Längen je nach Fahrzeug und eigenem Geschmack variiert werden sollte.  
*Above-mentioned enclosure recommendations are just a few possible variations.  
Please note that you should find the perfect tuning, especially port length, based on your car and own taste.*



BOX RECOMMENDATION



Curve	Type	Volume	F3/ Qtc
Red	Vented	40 L / 1.412 cu.ft	37 Hz
Black	Sealed	5 L / 0.177 cu.ft	69 Hz / 0.71
Blue	Sealed	15 L / 0.53 cu.ft	74 Hz / 0.53
Green	Bandpass 4th order	V1: 14 L / 0.49 cu.ft V2: 28 L / 0.99 cu.ft	Centerfreq. 58 Hz

Die hier aufgeführten Gehäusevorschläge sind nur einige, der möglichen Varianten.  
 Bitte beachten Sie zudem, dass die finale Abstimmung, speziell die Port Längen je nach Fahrzeug und eigenem Geschmack variiert werden sollte.  
*Above-mentioned enclosure recommendations are just a few possible variations.  
 Please note that you should find the perfect tuning, especially port length, based on your car and own taste.*

