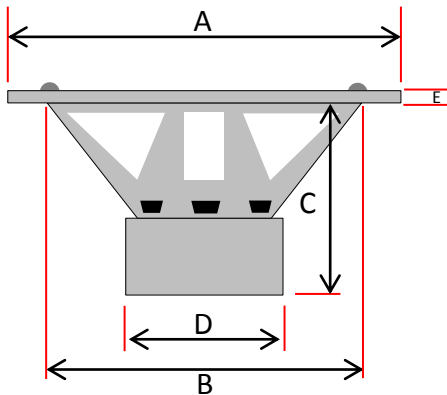




TECHNICAL SPECIFICATIONS

Product name	GZRW 12D2
Product type	Subwoofer chassis
Diameter	320 mm / 12.6" (incl Gasket 325 mm / 12.79")
Mounting diameter	283 mm / 11.14"
Mounting depth	159 mm / 6.26"
Magnet dimension	2 x 170 x 20 mm
Total weight	8,7 KG
Voice coil diameter	75 mm / 3 " Round Wire
Voice coil winding height	35 mm / 1.38"
Voice coil wire material	Copper
Voice coil former material	Aluminum
Top plate height	10 mm / 0.3937"
Linear excursion (one direction)	12,5 mm / 0.49 "
Effective Xmax	45 mm / 1.77"
Top Plate and T-Yoke color	Black
Basket material	Steel
Basket color	Black structure
Spider	Polycot
Surround	U Shape foam
Cone	Reinforced paper
Dustcap	Convex IMPP with 3D Logo
Magnetcover	Rubberboot

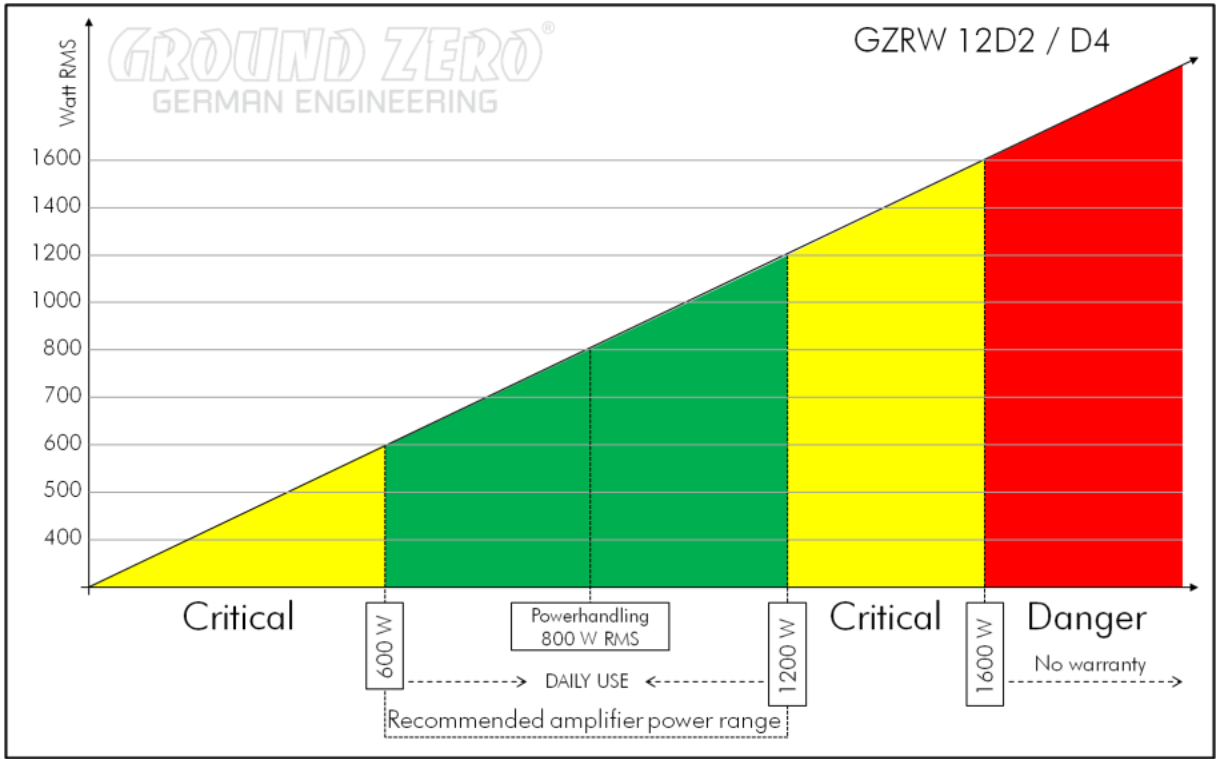
Gasket	Rubber
Terminal	Chrome push terminal
Power handling	800 WRMS
Impedance	2 x 2 Ohm
Re	3.8 Ohm
Res	83.5 Ohm
FS	28.4 Hz
Qms	4.79
Qes	0.47
Qts	0.43
Rms	8.4 kg/s
Cms	0.14 mm/N
Mms	221.1 gr
BL	17.8 N/A
SPL	85.7 dB
VAS	50.4 L / 1.78 cu.ft
Le	2.57 mH
Recommended freq. response	30 – 100 Hz
Recommended amplifier power	600 – 1200 WRMS @ 4 Ohm / 1 Ohm
Sound Quality	◎◎ (max. ◎◎◎◎◎◎)
SPL Competition	◎◎◎ (max. ◎◎◎◎◎◎)
Low bass performance 20-50Hz	◎◎◎◎ (max. ◎◎◎◎◎◎)
Mid bass performance 50-80Hz	◎◎ (max. ◎◎◎◎◎◎)



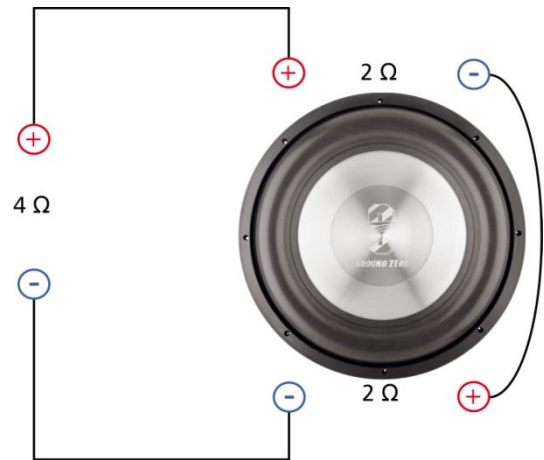
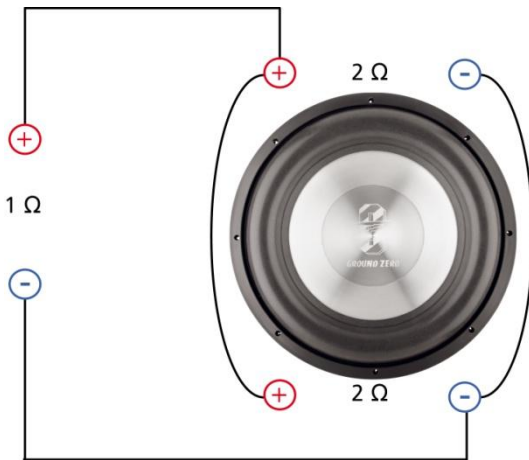
A	320 mm / 12.6" (incl. Gasket 325 mm / 12.79")
B	283 mm / 11.14"
C	159 mm / 6.26"
D	175 mm / 6.89"
E	16 mm / 0.629"



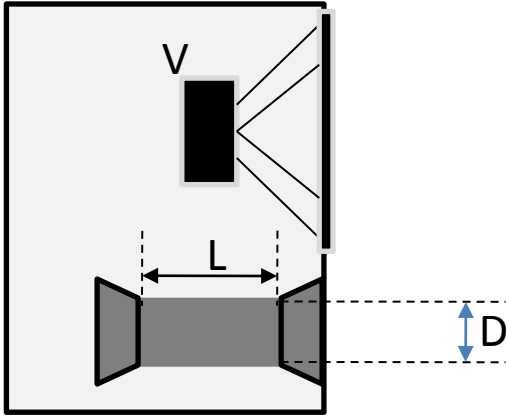
AMPLIFIER RECOMMENDATION



WIRING



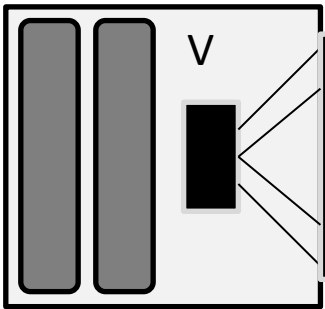
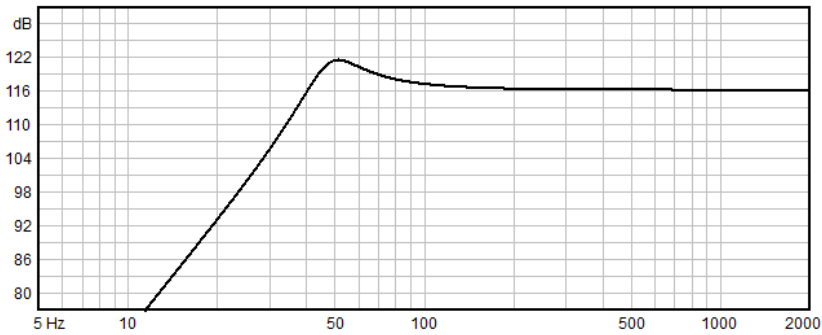
BOX RECOMMENDATION



Medium size vented box

V: 50 L / 1.77 cu.ft
 D: 2x 80 mm / 3.15"
 L: 250 mm / 10"
 Tuning: 45 Hz
 F3: 37 Hz

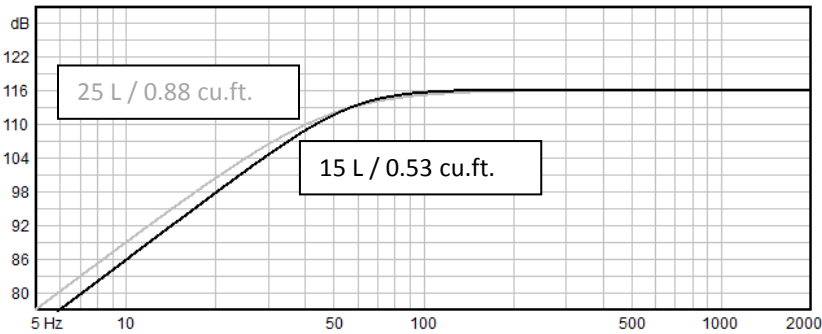
No damping



Small size sealed box

V: 15 – 25L / 0.53 – 0.88 cu.ft
 Qtc: 0.702 – 0.591
 F3: 55 Hz

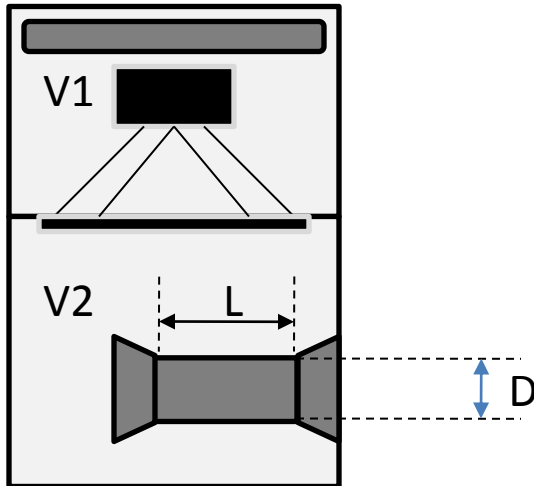
40 - 60% Polyester wool



Die hier aufgeführten Gehäusevorschläge sind nur einige, der möglichen Varianten.
 Bitte beachten Sie zudem, dass die finale Abstimmung, speziell die Port Längen je nach Fahrzeug und eigenem Geschmack variiert werden sollte.
*Above-mentioned enclosure recommendations are just a few possible variations.
 Please note that you should find the perfect tuning, especially port length, based on your car and own taste.*



BOX RECOMMENDATION


Medium size bandpassbox

V1: 15 L / 0.53 cu.ft

V2: 25 L / 0.88 cu.ft

D: 100 mm / 4"

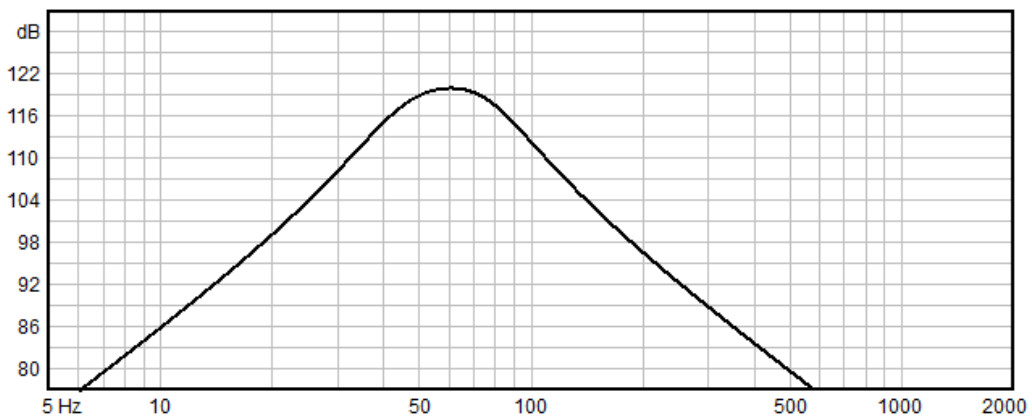
L: 200 mm / 8"

Center Freq.: 60 Hz

Bandwidth (-3dB): 37 – 95 Hz

20% polyester wool in V1

No damping in V2



Die hier aufgeführten Gehäusevorschläge sind nur einige, der möglichen Varianten.

Bitte beachten Sie zudem, dass die finale Abstimmung, speziell die Port Längen je nach Fahrzeug und eigenem Geschmack variiert werden sollte.

Above-mentioned enclosure recommendations are just a few possible variations.

Please note that you should find the perfect tuning, especially port length, based on your car and own taste.

